



Activated Carbon Filter Unit

**ACF, ACC**

## Activated Carbon Filter Unit

### ACF Duct Type Activated Carbon Cabins



#### Activated Carbon Filtration Solution for HVAC Systems

The **Gerhman Active Carbon Filter Unit** is designed to effectively remove odors, harmful gases, and volatile organic compounds (VOCs) from air handling and ventilation systems. It is an ideal solution for applications requiring high indoor air quality and odor control in both commercial and industrial environments.

The unit is constructed with a robust galvanized steel housing and equipped with high-efficiency activated carbon media, ensuring maximum adsorption performance. It is specifically engineered for use in HVAC systems where air purification and contaminant removal are critical.

The modular and compact design allows easy integration into duct systems and air handling units (AHUs). The filter cartridges are easily replaceable, enabling quick maintenance and long-term operational efficiency.

#### Key Features

- High-efficiency **activated carbon filtration**
- Effective removal of **odors, VOCs, and harmful gases**
- Durable **galvanized steel construction**
- Modular and compact design
- Easy maintenance with replaceable carbon cartridges
- Suitable for **HVAC systems and air handling units (AHU)**
- Low pressure drop design
- Custom sizes and configurations available

#### Technical Highlights

- Filter Type: Activated Carbon Cartridge
- Housing Material: Galvanized Steel
- Installation: Duct / AHU Integration
- Maintenance: Replaceable Carbon Media



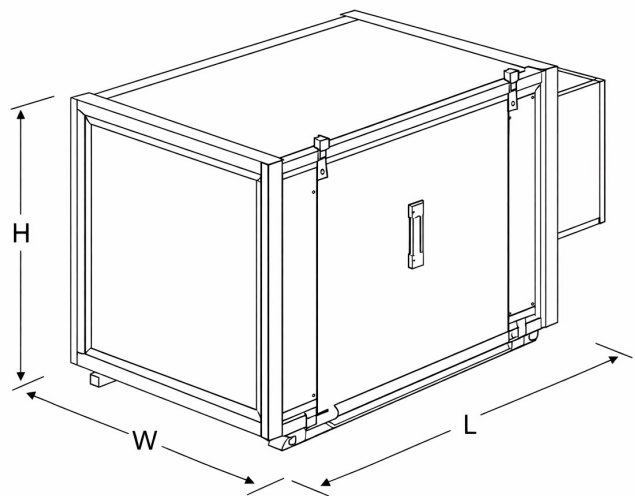
## Activated Carbon Filter Unit

### ACF Duct Type Activated Carbon Cabins



## Types and Technical Details

Model	Airflow (m <sup>3</sup> /h)	Dimensions (LxWxH mm)	Duct Size (mm)	Weight (kg)	Cartridges	Carbon (kg)	Contact Time (s)	Face Velocity (m/s)	Temp (°C)	ΔP (Pa)
ACF017	1750	670x740x430	590x350	97	8	24	0.085	0.5	50	270
ACF035	3500	670x740x735	590x655	140	16	48	0.085	0.5	50	270
ACF052	5250	670x740x1040	590x960	193	24	72	0.085	0.5	50	270
ACF070	7000	670x740x1345	590x1265	247	32	96	0.085	0.5	50	270
ACF105	10500	975x440x1345	895x1265	358	48	144	0.085	0.5	50	270
ACF140	14000	1280x840x1345	1200x1265	460	64	192	0.085	0.5	50	270
ACF210	21000	1890x940x1345	1810x1265	655	96	288	0.085	0.5	50	270
ACF300	30000	2500x1100x1345	2400x1265	~900	128	384	0.085	0.5	50	270

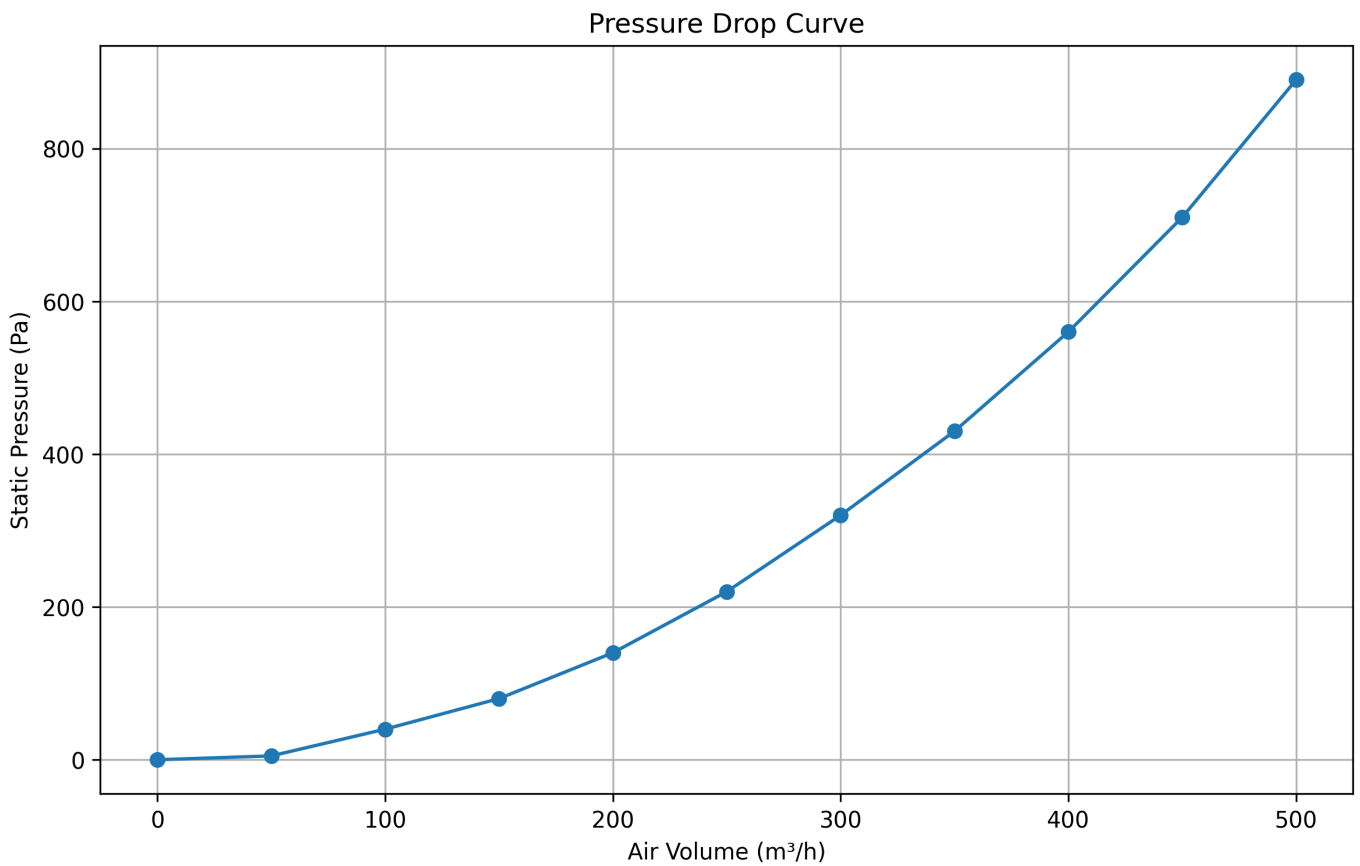


## Activeted Carbon Filter Unit

### ACF Duct Type Activated Carbon Cabins



## Performance



**Air volumes are mentioned per filter cylinder.**

## Activated Carbon Filter Unit

### ACF Duct Type Activated Carbon Cabins



#### APPLICATIONS

The **ACF Series** is designed for use in the following applications:

- In-duct gas filtration for supply, exhaust or recirculation air
- (e.g. commercial buildings, industrial facilities)
- Odour control applications in HVAC systems
- Installation after particulate filters (e.g. pre-filter or bag filter)
- Use in commercial kitchens, parking garages and process ventilation systems

#### NOT SUITABLE FOR

Do **not** use the ACF Series in the following applications or conditions:

- Presence of solids or liquids
- Explosive, flammable or aggressive gases
- High humidity environments beyond specified limits



#### Ambient Conditions

- **Max. operating temperature:** 80°C
- **Max. relative humidity:** 70%
- **Outdoor use allowed:** No

**Note:** Large capacity units (ACF210 and ACF300) can be supplied as modular sections for ease of transport and installation.

#### Storage conditions:

- Temperature: 5 – 50°C
- Relative humidity: max. 70%

# Activated Carbon Filter Cartridge

## ACC



### Product Description

The **Gerhman Activated Carbon Cartridge (ACC Series)** is designed for effective removal of odours, volatile organic compounds (VOCs), and harmful gases in HVAC and industrial ventilation systems.

Each cartridge is filled with high-quality activated carbon media (GXB type), ensuring superior adsorption performance and long service life. The cartridge design allows easy installation, replacement, and maintenance within carbon filter units.

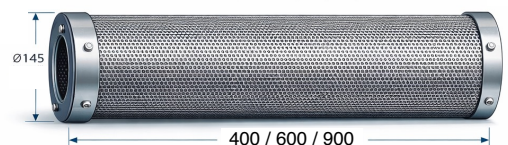
### Technical Specifications

Parameter	Value
Cartridge Type	Cylindrical
Carbon Type	GXB
Filling Material	Activated Carbon
Application	Gas & Odour Filtration
Installation	Cartridge housing
Operating Temperature	Max. 50°C
Max. Relative Humidity	70%

### Key Features

- High adsorption capacity activated carbon (GXB)
- Effective removal of odours, VOCs and gases
- Modular cartridge system
- Easy maintenance and replacement
- Long service life
- Compatible with Gerhman ACF Series units

Model	Diameter (mm)	Length (mm)	Carbon Weight (kg)
ACC-1	145	400	~3
ACC-2	145	600	~4
ACC-3	145	900	~6

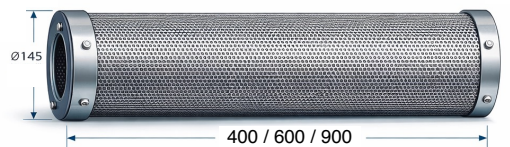
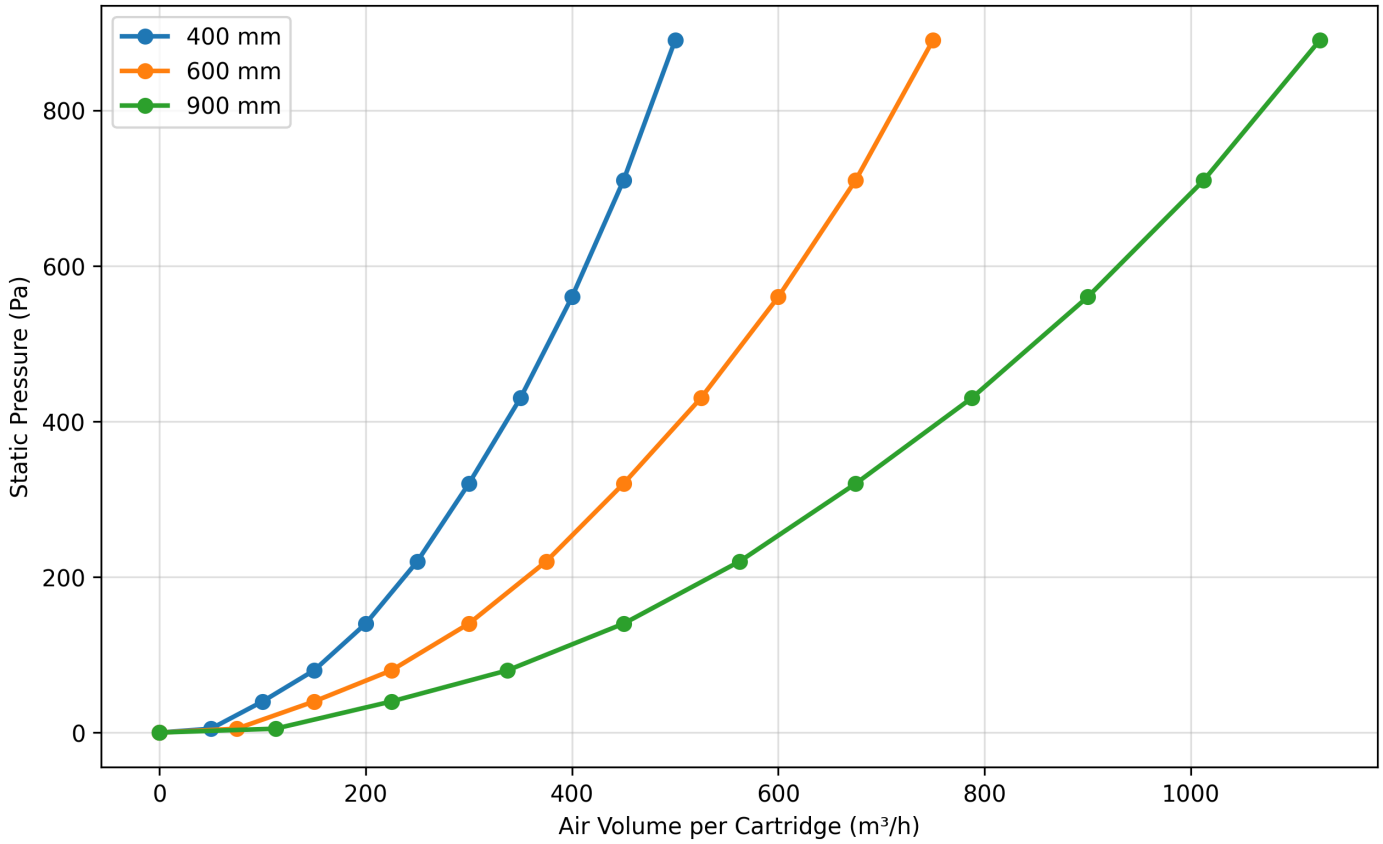


# Activeted Carbon Filter Cartridge

## ACC



Pressure Drop Curves by Cartridge Length





Activeted Carbon Filter Unit

**ACF**

[gerhman.com](http://gerhman.com)



• [info@gerhman.com](mailto:info@gerhman.com)



• [gerhman.com](http://gerhman.com)