



Underfloor Diffuser

KDI-01

At Gerhman we are driven by a strong desire to continuously generate improvements. We do that by developing products and systems that are easy to use and energy efficient, together with industry-leading knowledge, support, logistics and efficient availability.



gerhman.com

Underfloor Displacement Diffusers



KDI-01

KDI-01 linear underfloor displacement diffuser suitable for false floor installation. They are designed for small air volumes, perfectly catering to meet the essential need for hygienic fresh air per individual reliably and under control. These diffusers serve various spaces such as residential areas, hotels, medical treatment rooms, hospital spaces, and individual workstations by ensuring the necessary minimum fresh air provision.

Diffuser are designed to ensure a air supply with high levels of induction, achieving reduced air velocities and a moderate temperature gradient in the occupied zone. The diffuser may be used in rooms with a variable or constant air volume.

Specification

- Linear floor diffuser
- Front diffuser panel options in aluminium, stainless steel, steel
- Sheet steel dirt trap and displacement unit
- High induction model for large airflows.
- High levels of induction
- Simple to clean
- Can be used with connection plenum

Diffuser Load Capacity

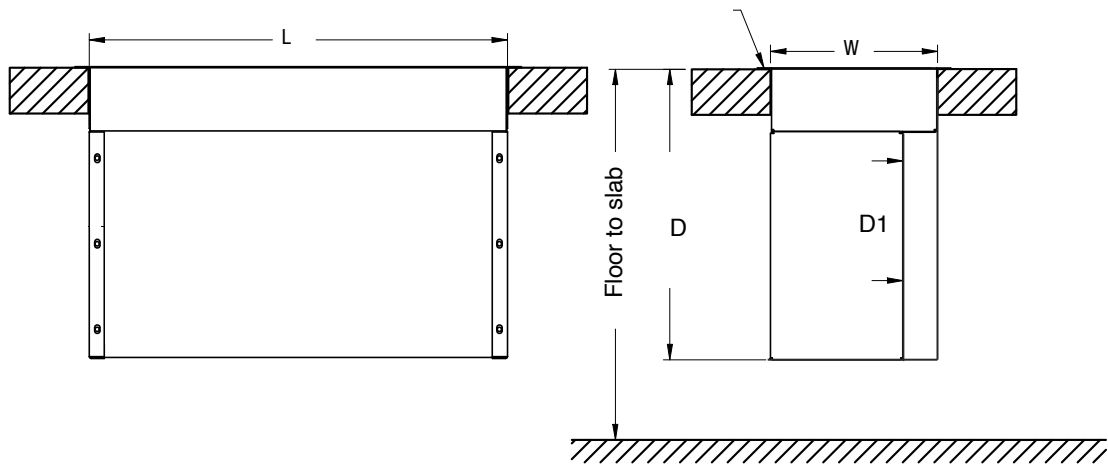
According to the requirements of European test standard EN 13264:2001.

Load class: Medium grade

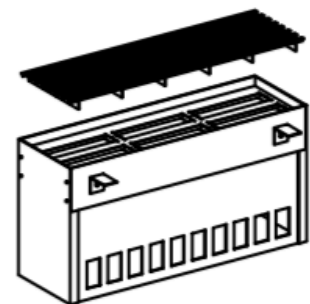


Technical sizes

Tested Available Unit Standard Size	Ak = 0,026 m ²					
	L x W (mm)					
	250x200	300x160	350x140	400x125	450x110	500x100

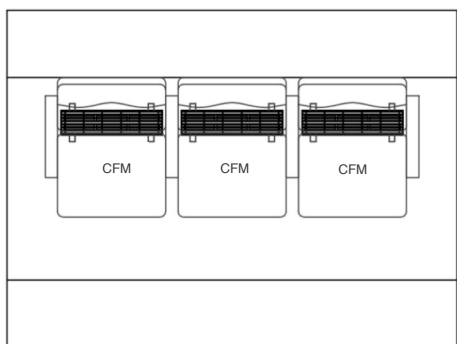
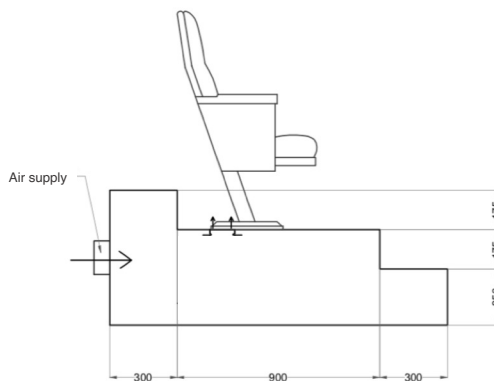
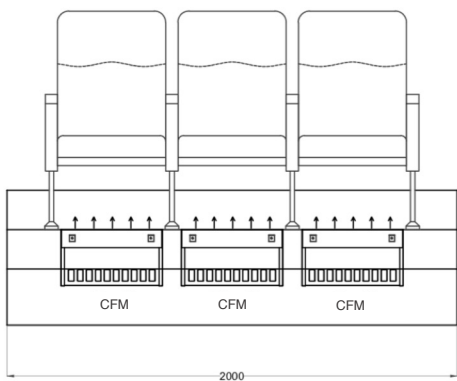


D (mm)	D1 (mm)	Floor to slab minimum length (mm)
200	90	210
250	140	260



Performance

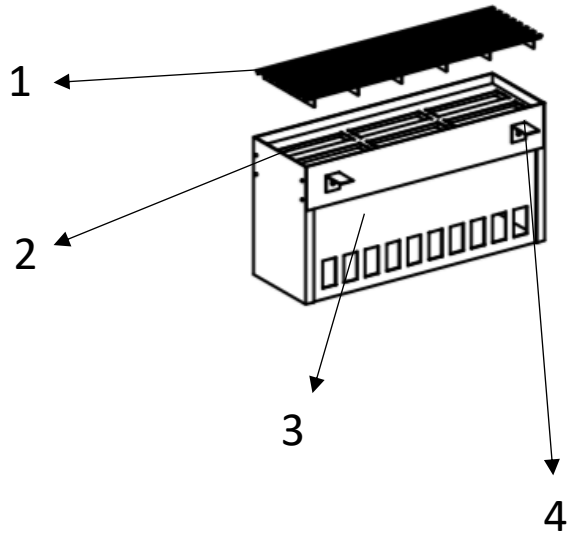
Standard Size	Ak = 0,026 m ²	250x200, 300x160, 350x140, 400x125, 450x110, 500x100						
Supply air volumetric flow	m ³ /h	25	50	100	125	150	200	250
Pressure loss	Pa	2	5	8	10	12	17	20
A-weighted sound power level LWA	db(A)	<20	<20	<20	<20	<20	22	25
Throw @ 0,15 m/s	m	0,3 - 0,5	0,5 - 0,7		0,6 - 0,8			



Technical data in regard to sound power and pressure drop refer to a diffuser without plenum. Technical data for the KDI-01 plenum box diffuser can be obtained by adding 4 dB(A) to the sound power level data in the table for the diffuser without a plenum box and increasing the pressure loss by 18%. The remaining data remains unchanged.

Design and construction

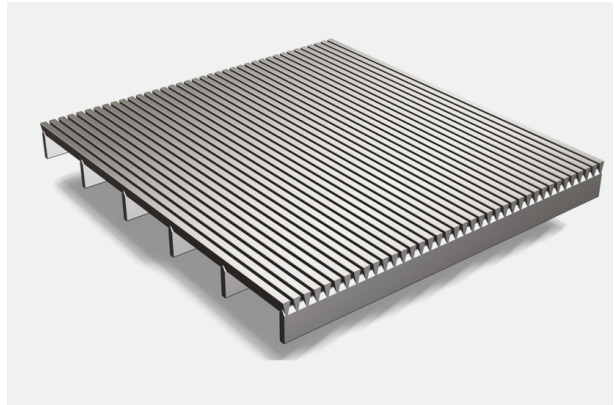
- 1- Decorative cover grille
- 2- Displacement diffusion unit
- 3- Plenum box, dirt basket, balancing damper
- 4- Installation support



Decorative Grille Panel

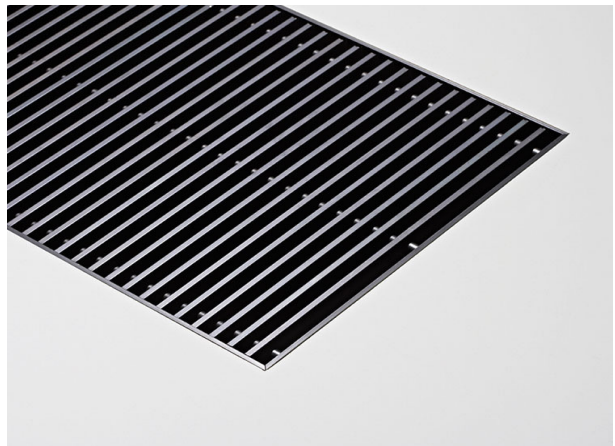
Stainless steel

Finish: natural, brushed, satin, gloss, powder coated



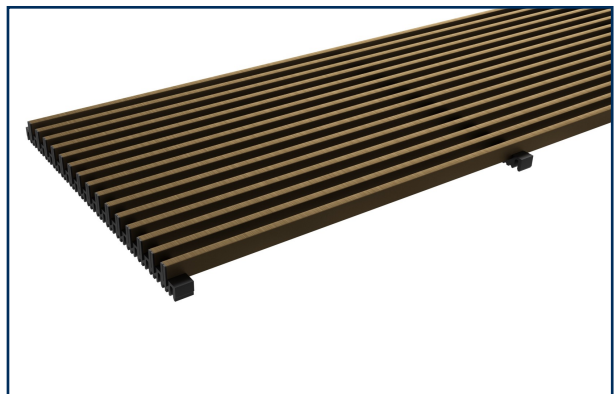
Carbon steel

Finish: powder coated



Aluminium

Finish: natural, anodised, powder coated, gold, bronze, Marble look, wooden look





gerhman.com

Underfloor Diffusers

KDI-01



• +90 0850 303 4766



• info@gerhman.com



• gerhman.com