



Access Doors

ACC (Duct Type)



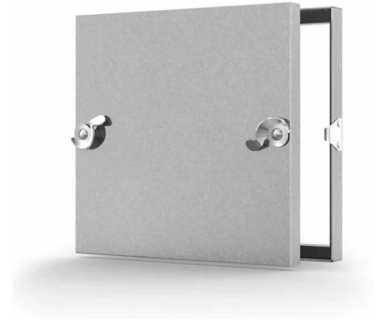
At Gerhman we are driven by a strong desire to continuously generate improvements. We do that by developing products and systems that are easy to use and energy efficient, together with industry-leading knowledge, support, logistics and efficient availability.



gerhman.com

Access Doors

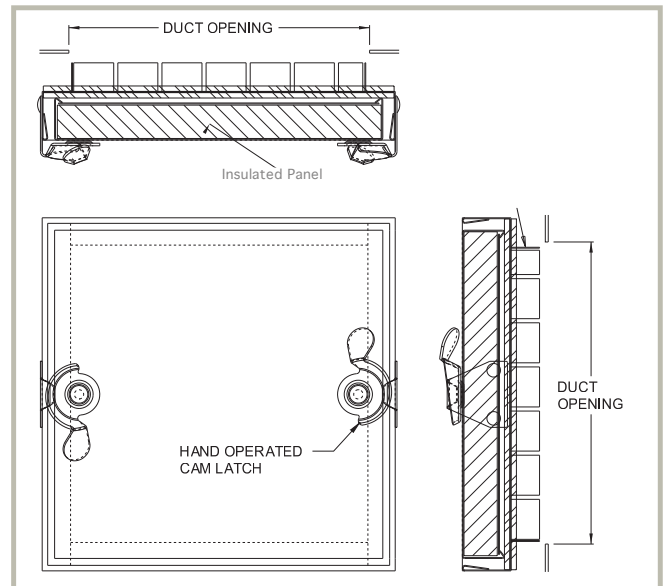
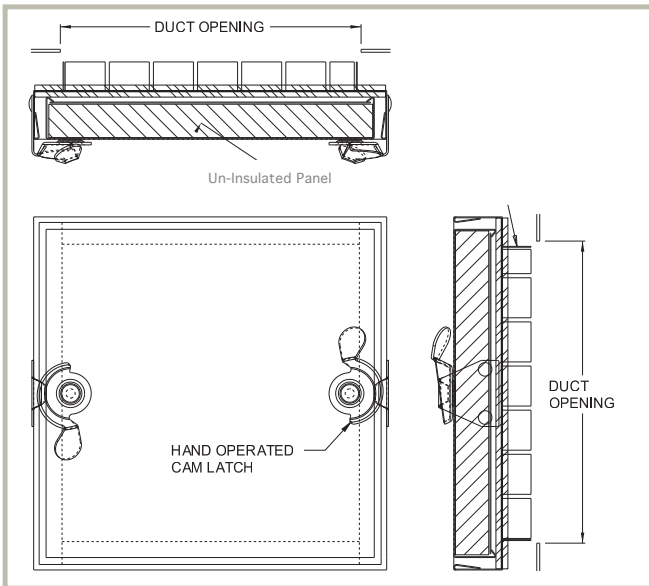
ACC



ACC Duct Access Panels are designed to provide convenient, economical access to duct components.

Application

- Assures a tight seal without obstruction in the air system
- Double cam removable duct panel
- Insulated and uninsulated, leak-proof access doors for rectangular ducts
- Provides easy access to sheet metal ducts



ACC

Uninsulated single skin panel

ACC-X

Insulated double skin panel

Access Doors

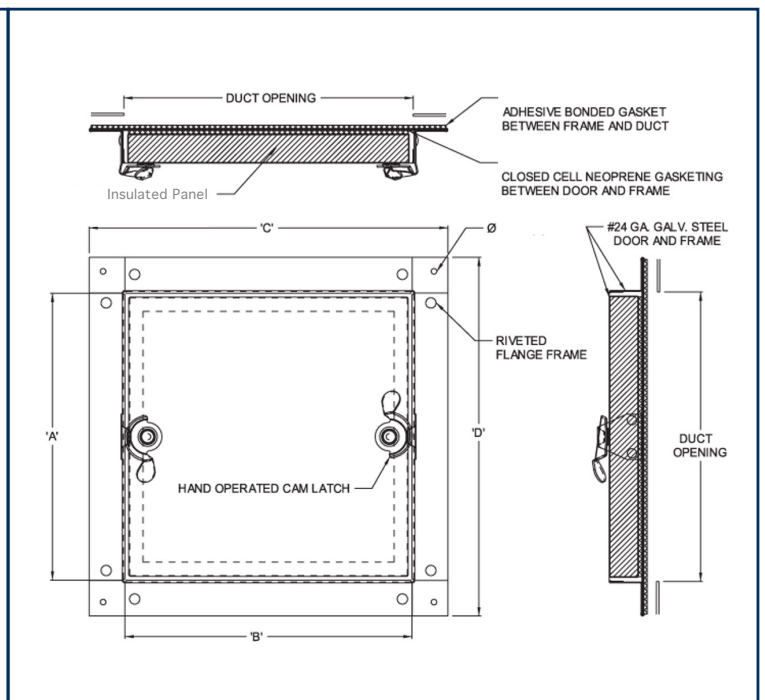
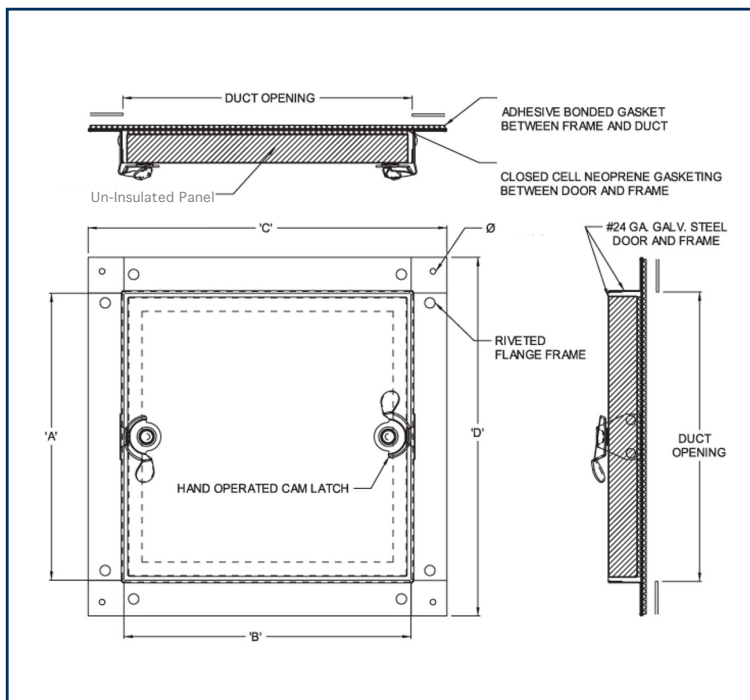
ACCT



ACCT Duct Access Panels with frame are designed to provide convenient, economical access to duct components.

Application

- Assures a tight seal without obstruction in the air system
- Double cam removable duct panel
- Insulated and uninsulated, leak-proof access doors for rectangular ducts
- Provides easy access to sheet metal ducts



ACCT

Uninsulated single skin panel

Frame size: 32 mm

ACCT-X

Insulated double skin panel

Frame size: 32 mm

Product features

ACC / ACC-X / ACCT / ACCT-X

Product Features			
Pressure class:	Low to medium		50– 1500 Pa
Construction:	Galvanized Standard	Aluminum Option	Stainless steel Option
Options:	Insulated ACC-X	Non-Insulated ACC	
Sizes:	Min. Length	100 mm	
	Min Height	100 mm	
	Max. Length	610 mm	
	Max. Height	610 mm	
Sealing:	Wide closed cell neoprene gasketing between door and frame and also between frame and duct		

Standard Sizes

Nominal Door Size
WxH (mm)
150x150
200x200
250x250
300x300
350x350
400x400
450x450
500x500
610x610

Duct opening is normal door size

Access Doors

ACC-X Pro

High pressure systems

High temperature access doors

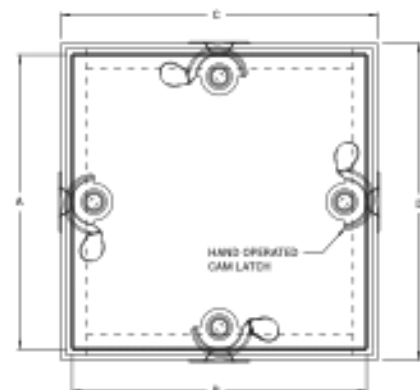
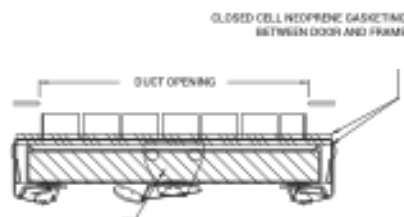


ACC-X Pro Duct Access Panels for high pressure and high temperature resist ducts systems.

They are designed to provide convenient, economical access to duct components.

Application

- Assures a tight seal without obstruction in the air system
- Double cam removable duct panel
- Insulated, leak-proof access doors for rectangular ducts
- Provides easy access to sheet metal ducts



Product features

ACC-X Pro

Product Features	ACC-X Pro		
Pressure class:	High Pressure	1500– 2500 Pa	
Temperature class:	400c/4h		
Construction:	Galvanized		Stainless steel
	Standard		Option
Options:	Insulated		
Sizes:	Min. Length	100 mm	
	Min Height	100 mm	
	Max. Length	610 mm	
	Max. Height	610 mm	
Sealing:	Wide closed cell neoprene gasketing between door and frame and also between frame and duct		

Standard Sizes

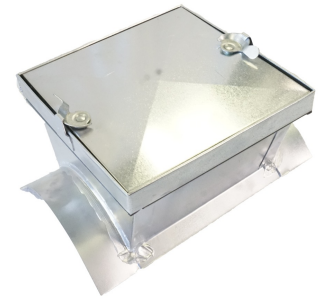
Nominal Door Size
WxH (mm)
150x150
200x200
250x250
300x300
350x350
400x400
450x450
500x500
610x610

Duct opening is normal door size

Access Doors

ACC-R

Round Duct Access Door



ACC-R Access Panels for round duct systems.

They are designed to provide convenient, economical access to duct components.

Application

- Assures a tight seal without obstruction in the air system
- Double cam removable duct panel
- Insulated, leak-proof access doors for round ducts
- Provides easy access to sheet metal ducts

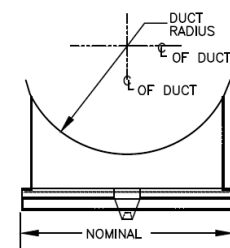
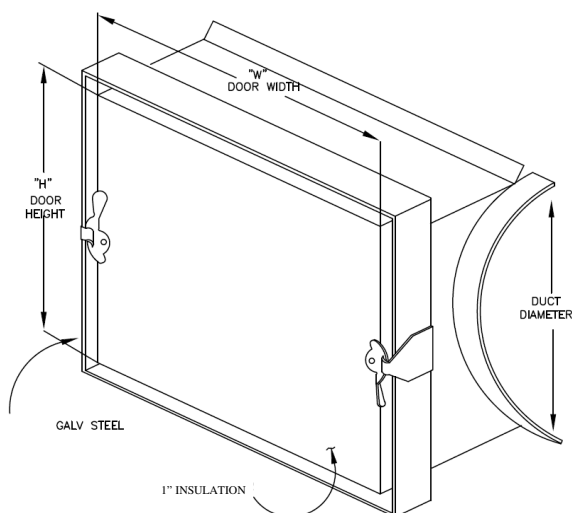
Finish: Galvanized steel

double cam round duct access door

Double panel door

Varied duct diameter radius

Wide gasketing



Optional Material:

Aluminum or stainless steel

Product features

ACC-R

Product Features	ACC-R		
Pressure class:	Low to medium Pressure	50 – 1500 Pa	
Construction:	Galvanized Standard	Aluminum Option	Stainless steel Option
Options:	Insulated		
Sizes:	Min. Length	100 mm	
	Min Height	100 mm	
	Max. Length	610 mm	
	Max. Height	610 mm	
Duct Dia	Min:	150 mm	
	Max:	800 mm	
Sealing:	Wide closed cell neoprene gasketing between door and frame and also between frame and duct		

Standard Sizes

Please contact with our technical office for suitable duct diameters.


Sizes:	Min. Length	100 mm
	Min Height	100 mm
	Max. Length	610 mm
	Max. Height	610 mm
Duct Dia	Min:	150 mm
	Max:	800 mm



gerhman.com

Access Doors

ACC

 • +90 0850 303 4766

 • info@gerhman.com

 • gerhman.com