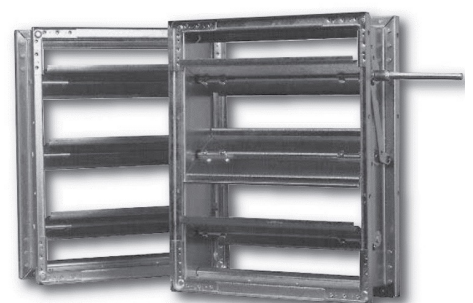


Air Flow Control

**Blue-S2 Volume Control Dampers**

**For Heavy Duty Operation**



At Gerhman we are driven by a strong desire to continuously generate improvements. We do that by developing products and systems that are easy to use and energy efficient, together with industry-leading knowledge, support, logistics and efficient availability.



[gerhman.com](https://gerhman.com)

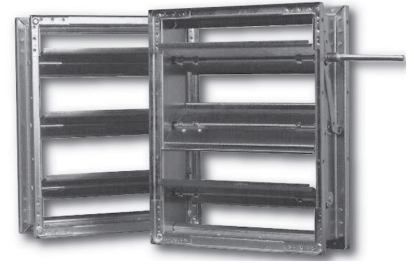
## Air Flow Control

---

### Blue-S2

### Volume Control Dampers

### For heavy duty operation



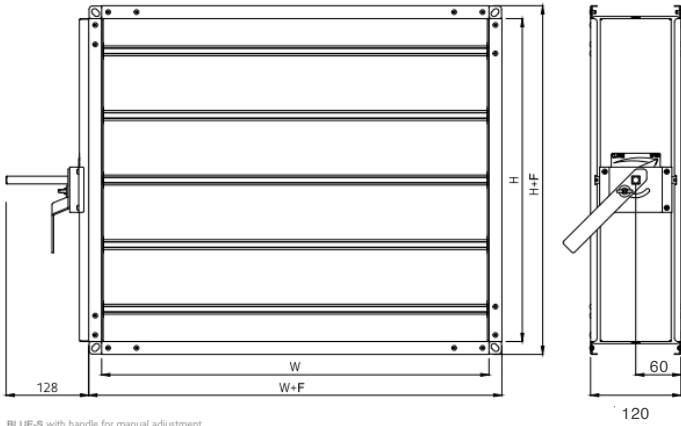
Volume control dampers type 'Blue-S2', are used for air volume and pressure control. Damper can be operated manually or equipped with electric actuator (24V or 230V) with or without position indicator.

#### Design

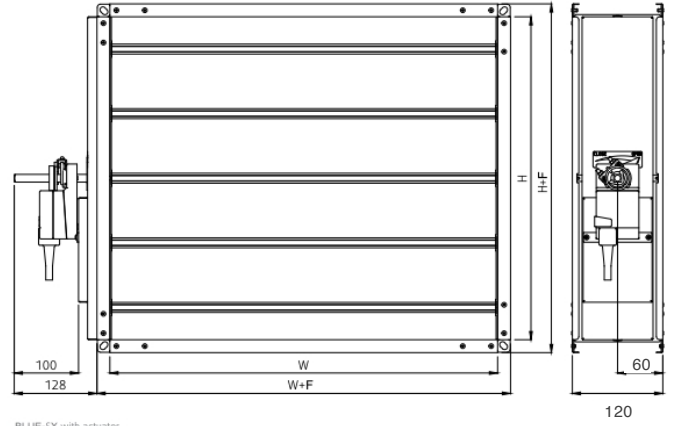
- Blue-S2 units are made from sheet steel frame and Aluminium profile blades.
- Available in stainless steel casing upon on request. (SS304, SS316, SS316L)...SS
- Alumium casing upon on request.
- The frame has 20-25-30-35 mm wide flanges options.
- The aerofoil blades are from extruded aluminium.
- Galvanised or Stainless steel Blade (Optional)
- Steel bushes standard , self lubricating bronze bushes (optional)
- Paralel blade operation standard, opposed blade operation (optional)
- The blades are optionally equipped by rubber gaskets eliminating leakage in closed position.
- Casing air leakage according to EN1752, class C
- Optional C4 low leakage, stainless steel side seals between frame and blades
- Open/close, continuous, fast acting and spring return actuators options
- Operation:  $\Delta p_{max} = 1000 \text{ Pa}$ ;  $t_{max} = 200 \text{ }^\circ\text{C}$  (standard) -  $400 \text{ }^\circ\text{C}$  (optional)

# Dimensions

## Blue-S2



BLUE-S with handle for manual adjustment



BLUE-SX with actuator



Flange Options	F
20 mm (standard)	40 mm
25 mm (standard)	50 mm
30 mm	60 mm
35 mm	70 mm

# Dimensions

Minimum	Base W	100 mm
Maximum	Base W	1500 mm
Minimum	Base H	100 mm
Maximum	Base H	1500 mm

- All combinations WxH are possible.
- Multiple modules for larger sizes are possible.



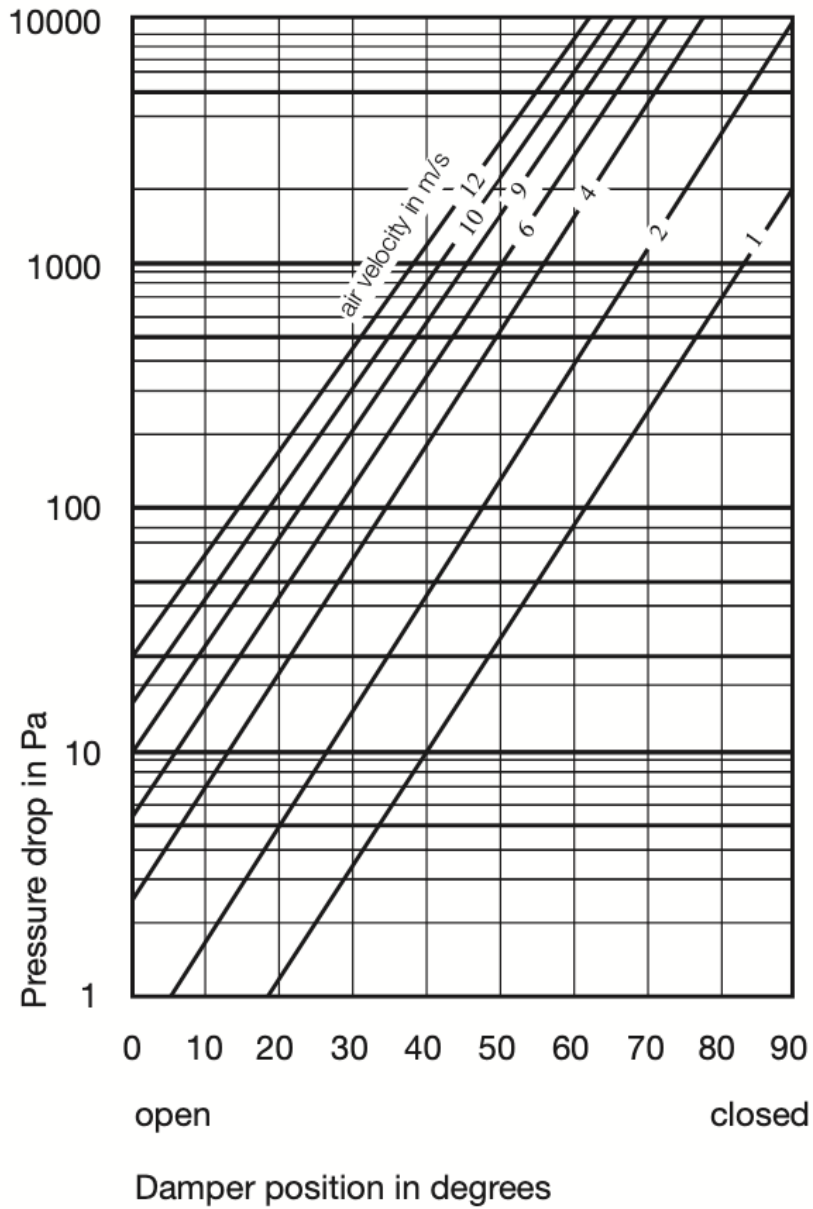
Parallel Blade Operation



Opposed Blade Operation

# Performance Data

## Blue-S2



# Selection actuator

## Blue-S2X (with electric actuator)

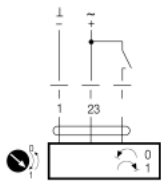


	0-10 V		2/3-point		Spring return "OPEN" and "CLOSED"		Spring return 0-10 V
	24 V AC/DC	230 V AC	24 V AC/DC	230 V AC	24 V AC/DC	230 V AC	24 V AC/DC
<b>4 Nm</b>	-	-	-	-	M21	M20	M23
<b>5 Nm</b>	M12	M16	M01	M02	-	-	-
<b>10 Nm</b>	M13	M17	M03	M04	M27	M29	M28
<b>20 Nm</b>	M14	M18	M05	M06	M25	M24	M22
<b>40 Nm</b>	M15	-	M07	M08	-	-	-

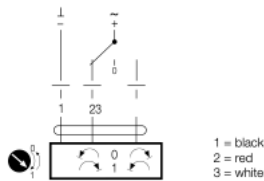
### Wiring diagram

-open/close

AC/DC 24 V, open/close

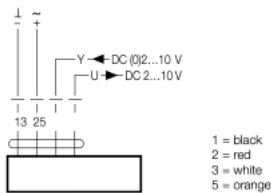


AC/DC 24 V, 3-point



-continuous

AC/DC 24 V, modulating



Actuator

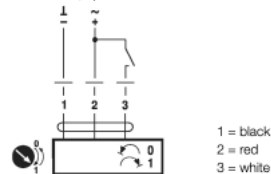
-spring return

AC/DC 24 V, open/close



-fast-acting

AC/DC 24 V, open/close

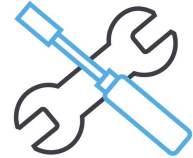


## Air Flow Control

---

### Blue-S2

## Volume Control Dampers



### Installation, Maintenance & Operation

The fixing bolts, nuts, clips and gaskets shall be delivered by the installation company. The damper cannot be installed carrying any mechanical loads from other structures. Blue-S is mounted into the ductwork by a standard flange.

### Transport & Storage

Dry indoor conditions with a temperature range of -20°C to +50°C.

### Supplement

We reserve the right to make any changes to the product without prior notice, provided that these changes do not affect the quality of the product and the required parameters.



## Air Flow Control

# Blue-S2 Volume Control Dampers



• +90 0850 303 4766



• [info@gerhman.com](mailto:info@gerhman.com)



• [gerhman.com](http://gerhman.com)