

Healthcare Solutions

**Purus**

At Gerhman we are driven by a strong desire to continuously generate improvements. We do that by developing products and systems that are easy to use and energy efficient, together with industry-leading knowledge, support, logistics and efficient availability.



[gerhman.com](https://gerhman.com)

## Healthcare Solutions



### Purus

Purus is an exhaust grille for all Gerhman Healthcare zone and OR solutions.

#### Typical Applications

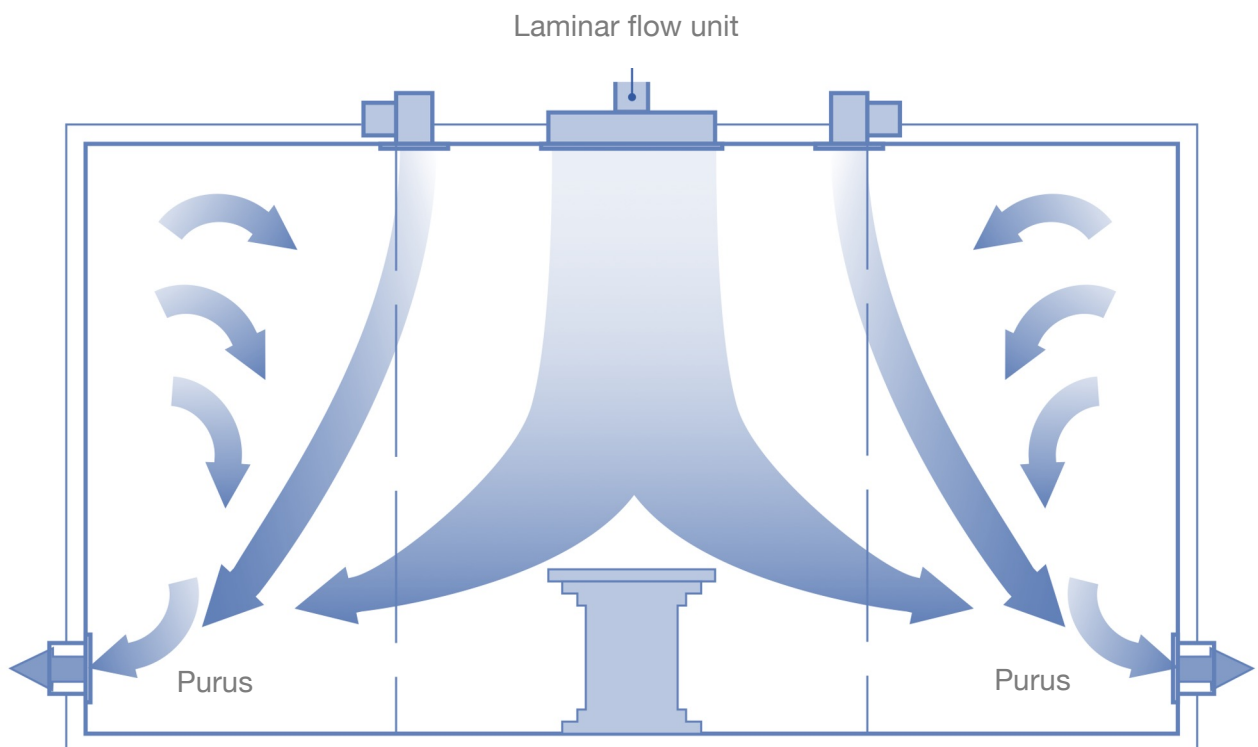
Purus is ideal for applications requiring frequent cleaning with strong cleaning solutions. Designed with easily removable grille for access and cleaning.

#### Ideal for

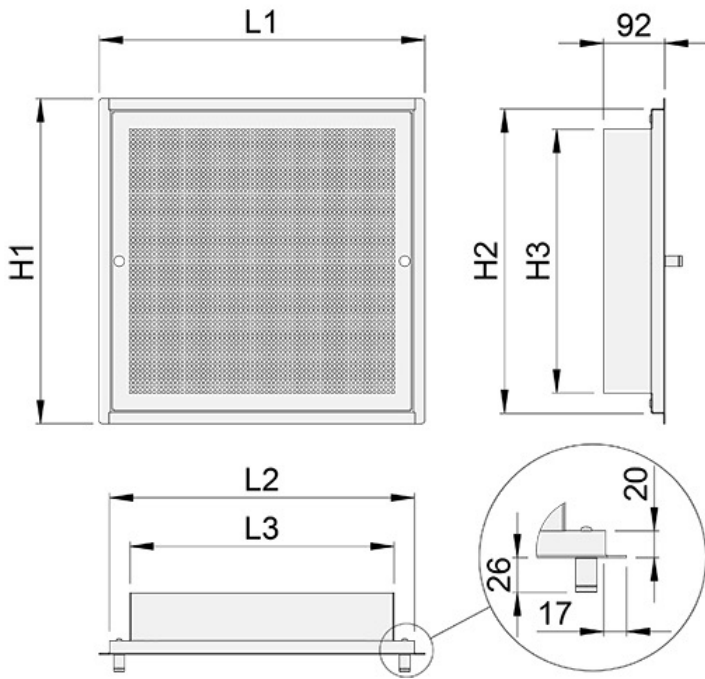
- Cleanrooms
- Laboratories
- Hospitals

#### Design

- AISI316 Stainless steel exhaust air grilles equipped with a metal mesh fluff separator
- The stainless steel front panel is easy to remove and clean
- Galvanized with hygienic epoxy coated (option)
- Aluminum with hygienic epoxy coated (option)



# Sizes and design

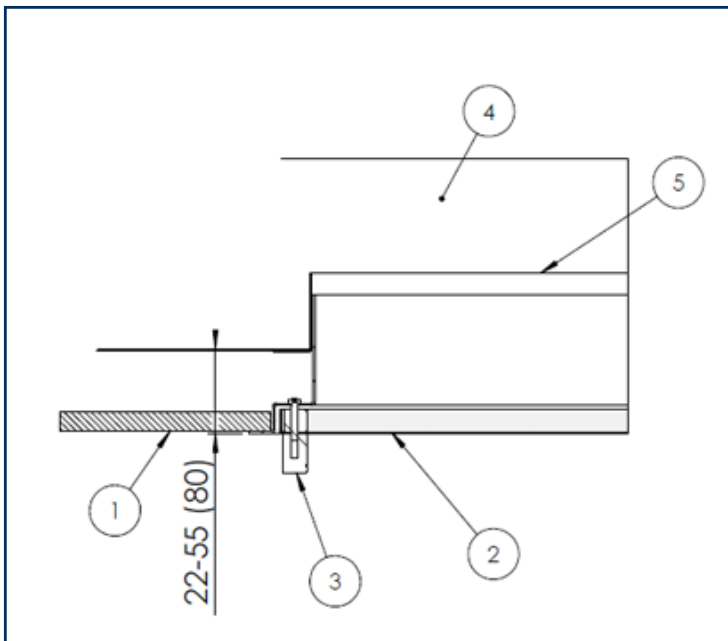


An operating room should maintain a positive pressure differential with adjacent spaces at all times. For this reason, the operating room exhaust air volume should be less than the total supply air volume. The required air flow offset (between supply and exhaust) to achieve a desired differential pressure relative to adjacent spaces is dependent on how well the room envelope is sealed. As such, it is not possible to calculate the offset value in advance of room commissioning and system balancing. However, a typical OR would have approximately 20% more air supplied to the room than is exhausted.

Purus	L1	L2	L3	H1	H2	H3	kg (s.s.)
400x200	487	456	395	287	256	195	6.5
400x400	487	456	395	487	456	395	9.0
500x250	587	556	495	337	306	245	8.0
500x500	587	556	495	587	556	495	11.0
600x250	687	656	595	337	306	245	9.0
600x600	687	656	595	687	656	595	13.5

## Installation

- The exhaust grille is connected to the exhaust air ductwork. Wall or ceiling installations are possible
- Air is exhausted from the space through the grille and the metal mesh fluff separator.
- The exhaust grilles should be located symmetrically on the walls near the floor level.



1. Wall construction
2. Exhaust grille
3. Fixing knob
4. Air duct
5. L-shape fixing bracket

## Servicing

- The grille can also be sterilized in an autoclave
- It does not need to be removed for vacuuming.
- The unit should have quick-release fasteners for easy removal and cleaning.



gerhman.com

## Healthcare Solutions **Purus**



• +90 0850 303 4766



• info@gerhman.com



• gerhman.com